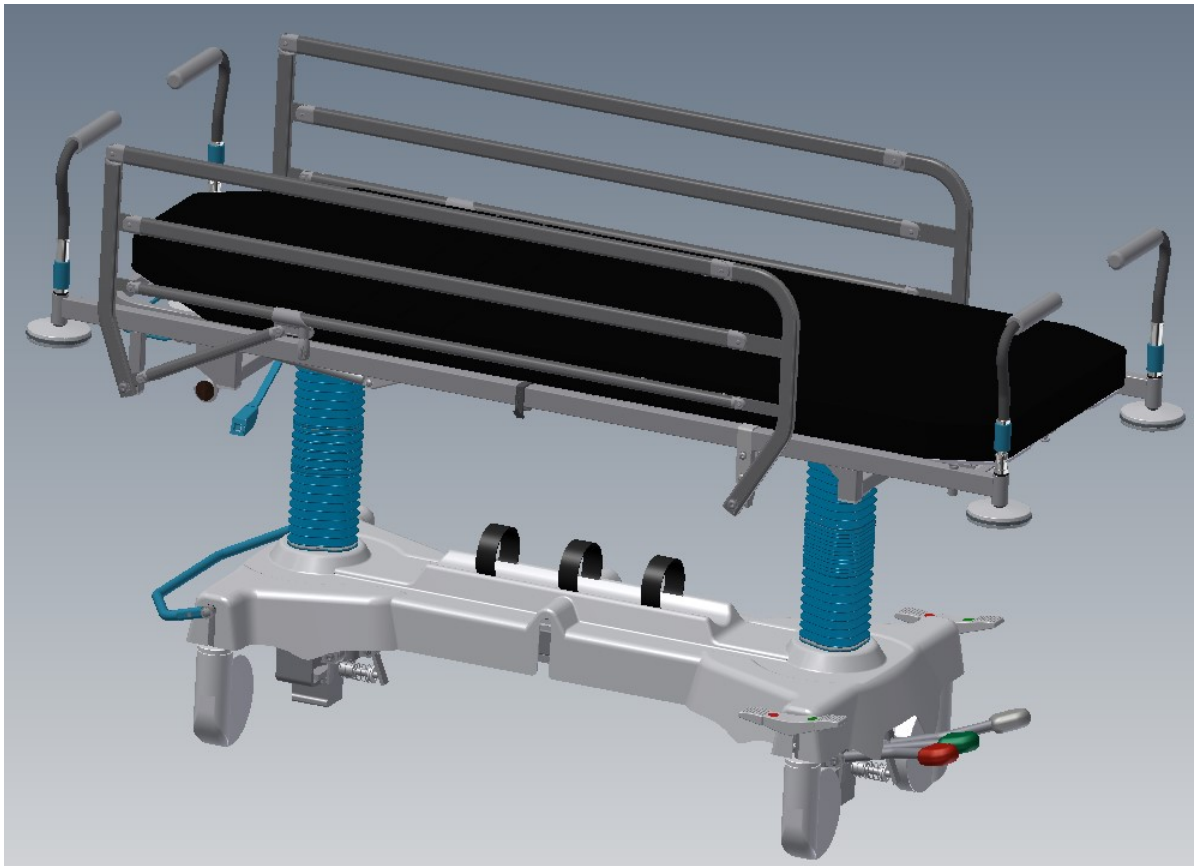


USER MANUAL



**Trolley for patients transportation
WP-09
Trolley for patients transportation
WP-09 STRIDER**

Factory no.:

.....

.....

Version 14.00
Issuance date: 15.01.2024



FAMED ŻYWIEC Spółka z o.o.

Appendixes: 2, 3, 4, List of Spare Parts.

As provided in the regulation of the European Parliament and the Council (UE) 2017/745 of 5 April 2017 on medical devices, it is a class I device.

The producer declares that the product meets general safety and performance requirements specified in Appendix 1 of the regulation. The Conformity assessment was carried out on the basis of the technical documentation in accordance with Appendix II and III of the regulation.



Manufacturer:

FAMED ŻYWIEC Sp. z o.o.

Fabryczna 1

34-300 Żywiec

POLAND

Phone numbers:

INFOLINE (+48 33) 866 63 75 (24-hours a day)

Head office (+48 33) 866 62 00

Marketing Department (+48 33) 866 63 00 ...02

Export Department (+48 33) 866 62 50 ...52

Service (+48 33) 866 63 25

Fax (+48 33) 475 58 90

Dear Clients,

Congratulations on choosing the right product, we wish you would find a lot of satisfaction while operating it.

Please read this manual very carefully as it includes all the vital information and notes from the producer concerning proper installation and maintenance of the product as well as its service.

FAMED ŻYWIEC Spółka z o.o.

General notes

- *The use, maintenance as well as servicing of this product performed in other ways than those, which have been stated in this manual is forbidden and may result in damages, which will encumber the user and which will not be a matter of producer's responsibility.*
- *When the operation and parameters of the product do not match the description in item 'Operation' in this manual, the use of the product is not allowed and any defects have to be reported to the producer or the supplier.*
- *Every repair of the product must be done by a factory service and recorded on the list of repairs, which is supplied with the guarantee certificate. Disregarding this requirement will cause the guarantee for the product to be invalid..*

Notes concerned with safety

The sign shown below says: "Warning! - Follow the instructions for safe use".



A label showing this sign is placed on any parts or mechanisms, which may prove to be harmful to the patient or the personnel if their operation does not comply with the descriptions found in this Operating Manual.

- *The trolley is designed to transport patients up to 200 cm in height.*
- *One should be cautious while adjusting the angular position of segments of the couch. The moving elements may trap fingers or hands. It is forbidden to rest hands on trolley elements which are situated closely to the moving elements of the structure.*
- *If patient's condition (such as confusion due to medical reasons or clinical state) may lead to patient's getting stuck on trolley, then the trolley should remain flat when there is no supervision (except of cases when medical staff recommends otherwise in special or particular circumstances).*
- *During lowering of the side handrails press the handrail with an open hand so that fingers do not get entrapped when the handrail is folded to its lower position. During lowering of the handrail the patient and other persons should move away from moving elements of the handrail.*

- ***While the trolley is being moved the floor must be free from obstacles!***
- ***When moving the trolley, avoid collisions!***
- ***Do not roll the trolley over electric cables!***
- ***The trolley should be at a minimum height with the rails raised if there is an unattended patient on it***

Notes concerning cleaning and disinfecting

Wash and disinfect the product in accordance with section 6.2 of the User Manual.

Disregarding the above requirements concerning cleaning and disinfecting shall result in losing the guarantee for the product!

Contents

1. PROPER USE AND APPLICATION	6
1.1. APPLICATION	6
1.2. GENERAL REQUIREMENTS	6
1.3. DUTIES OF THE USER	6
1.4. TECHNICAL DATA	6
1.5. DESCRIPTION OF ELEMENTS AND FUNCTIONS	7
1.6. DESCRIPTION OF PRODUCT	9
1.7. SAFETY	9
1.8. CRITICAL PARAMETERS	9
2. TRANSPORT AND FIRST USE	10
2.1. TRANSPORT	10
2.2. UNPACKING AND FIRST USE	10
3. OPERATION	11
3.1. RAISING AND LOWERING OF THE COUCH	11
3.2. CHANGE OF ANGULAR POSITION OF THE COUCH	11
3.3. CHANGE OF ANGULAR POSITION OF THE BACKREST	11
3.4. THIGH SEGMENT INCLINATION ADJUSTMENT (FOR 4-SEGMENT PALLET ONLY)	11
3.5. SHANK SEGMENT INCLINATION ADJUSTMENT (FOR 4-SEGMENT PALLET ONLY)	12
3.6. X-RAY CASSETTE TRAY	12
3.7. WHEEL LOCK	13
4. INSTALLATION AND USING OF ADDITIONAL ACCESSORIES	14
4.1. FUNCTION OF THE SIDE RAILS	14
4.2. HEAD TYPES.	15
4.3. DRIP HANGER	17
4.4. MATTRESS	17
5. CRITERIA OF EVALUATION OF A CORRECT FUNCTIONING OF THE PRODUCT	18
6. TECHNICAL SERVICE	18
6.1. STORAGE	18
6.2. CLEANING AND DISINFECTING	18
6.3. DAMAGES AND DEFECTS	19
6.4. REPAIRS AND MAINTENANCE ACTIVITIES	19
6.5. CONTROL OF TECHNICAL CONDITION	20
6.6. LOCATION AND REMOVAL OF DEFECTS	20
6.7. PRODUCT LIQUIDATION	21
7. TROLLEY IDENTIFICATION	22
7.1. NAMEPLATE	22
7.2. LABELS	23

1. Proper use and application

1.1. Application

The WP-09 trolley for patient transportation is used to transport patients to operating and treatment rooms, between rooms in hospitals, clinics and medical facilities. Due to the characteristics of the bed, the trolley can be used for x-ray.

1.2. General requirements

The product is intended to be used indoors. Required climatic conditions: temperature from +10 to +40°C, acceptable change of surrounding temperature during 8 hours should not exceed 20°C, relative humidity of the air should range from 30 to 80%, atmospheric pressure from 700 to 1060 hPa. The product should be used, maintained and serviced according to the indications of this manual.



Using, maintaining and servicing the product in other way than indicated in this manual is not permitted and may lead to damages for which the user is to blame and for which the producer is not responsible.

Caution! Installation of other accessories than those offered by the producer for the product is allowed only on the basis of a written acceptance of the producer.

1.3. Duties of the user

User: any individual or corporate body who uses the product as its owner, lessee, pledge or who has a different right to the product as well as an entity who uses the product on its own or on whose behalf it is used.

The user must ensure that the product shall be used exclusively in conformity with its destination and that it is used in appropriate conditions and in consistence with this manual. The user is also obliged to take all necessary precautions in order to prevent all life and health hazards concerning the user, patients and any third party. Only authorised persons who underwent special training and are acquainted with this manual may operate the product. The user must also ensure that all persons who operate the product have read, understood and apply instructions contained in this manual. A serious medical incident related to the device should be reported to the manufacturer and the competent authority (URPL).

1.4. Technical data

- Overall length of the trolley couch (with fenders)	2125 mm ± 10 mm
- Width of the trolley couch (with fenders)	825 mm ± 10 mm
- Minimal height of the trolley couch from the floor	560 mm ± 10 mm
- Maximum height of the trolley couch from the floor	890 mm ± 10 mm
- Angle of raising of the backrest	80° ± 5°
- Thigh segment elevation angle (4-segment pallet)	27° ± 3°
- Trendelenburg	15° ± 2°
- Anti-Trendelenburg	15° ± 2°
- permissible load	250 kg
- weight of the two-segment trolley (including heads and rails)	approx. 100 kg
- weight of the four-segment trolley (including heads and rails)	approx. 130 kg
- Maximal load of the infusion holder	2 kg for one hook / basket
- space for cylinder capacity:	3 ÷ 6 l
- Usage time	10 years

For the special client request it's possible to produce the product with change parameters, not lowering it's safety.

1.5. Description of elements and functions

Two-segment pallet trolley

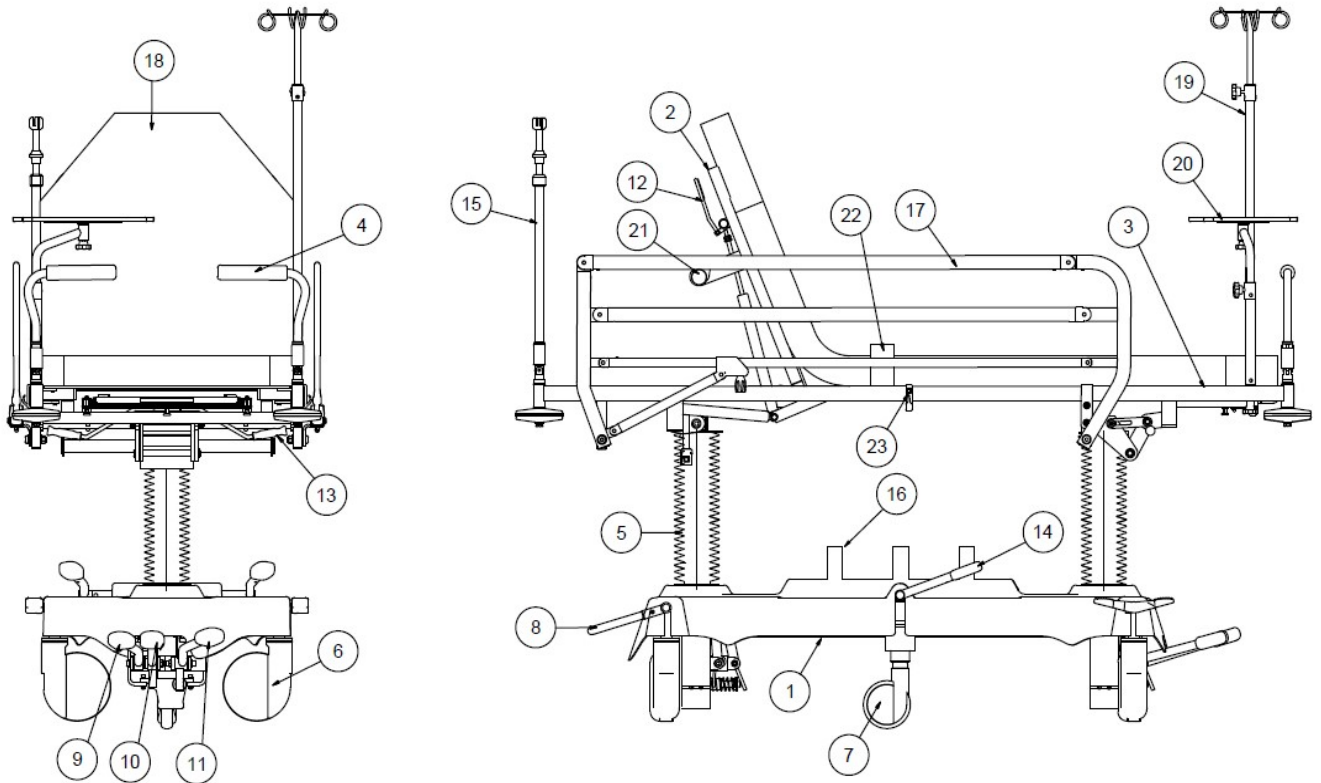


Fig. 1

Position on fig. 1	Equipment	Description
1	X	Base
2	X	Backrest segment
3	X	Immovable segment
4	X	Foldable head
5	X	Hydraulic column
6	X	Wheel
7	O	Fifth wheel
8	X	Central blockade lever
9	X	Trendelenburg lever
10	X	Anti-Trendelenburg lever
11	X	Lever of the couch height
12	X	Back-rest angle change lever
13	O	RTG cassette holders slide lever
14	O	Fifth wheel lever
15	O	Foldable drip hanger
16	X	Belts for securing oxygen cylinders
17	O	Side barrier
18	X	Mattress
19	O	Drip hanger
20	O	Monitor shelf
21	O	Tower hanger
22	O	Securing belts
23	X	Plastic hook

„X” - standard equipment
 „O” - additional equipment

Four-segment pallet trolley

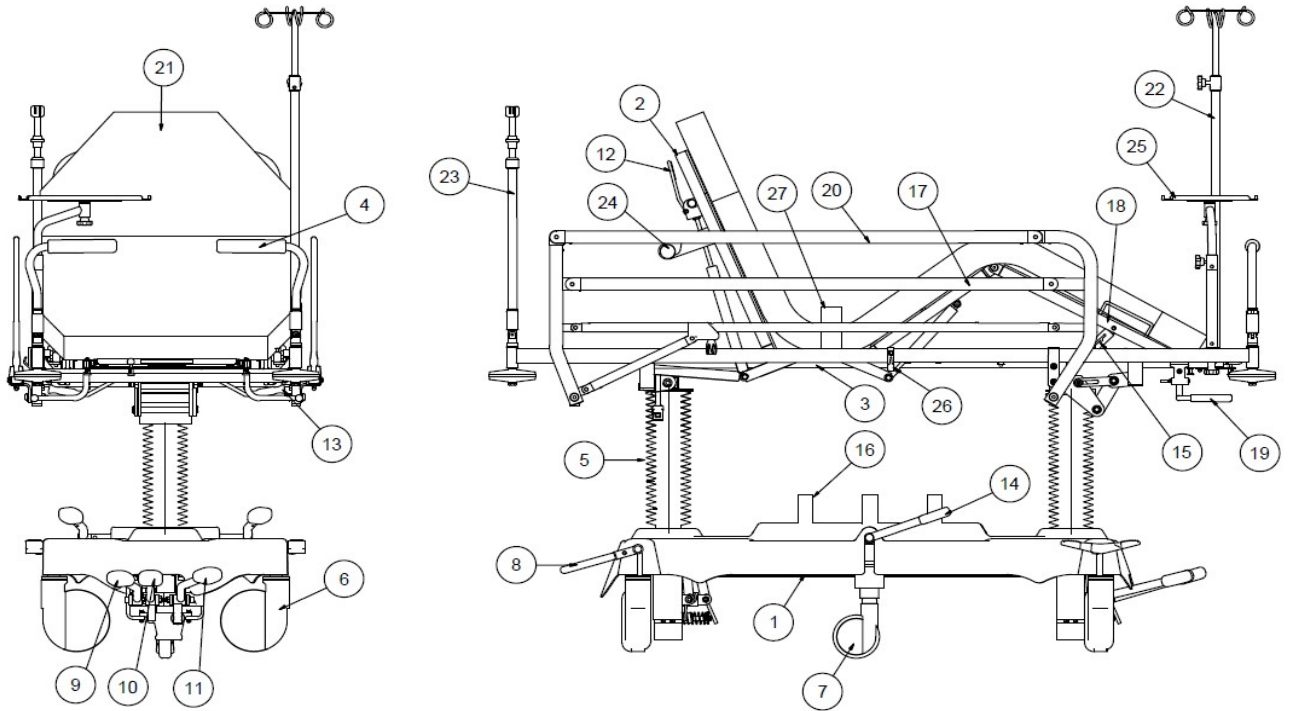


Fig.2

Position in fig. 2	Equipment	Description
1	X	Base
2	X	Backrest segment
3	X	Fixed segment
4	X	Foldable head
5	X	Hydraulic column
6	X	Wheel
7	O	Fifth wheel
8	X	Central wheel lock lever
9	X	Trendelenburg pedal
10	X	Anti-Trendelenburg pedal
11	X	Pallet lift pedal
12	X	Backrest section adjustment lever
13	X	X-ray tray sliding lever
14	O	Fifth wheel lever
15	X	Foot section ratchet
16	O	Belts for securing oxygen cylinders
17	X	Thigh segment
18	X	Shank segment
19	X	Thigh segment adjustment lever
20	O	Side rail
21	X	Mattress
22	O	Drip hanger
23	O	Foldable drip hanger
24	O	Tower hanger
25	O	Monitor shelf
26	X	Plastic hook
27	O	Securing belts

„X” - Standard equipment
 O - Additional equipment

1.6. Description of product

WP-09 trolley parts list:

- trolley frame, - side rails, - fenders, - mattress, - heads, - thigh lever, - backrest lever, - bed segment frames.

The base and base of the trolley are made of painted steel, optionally in stainless steel. The bed segments are filled with a decorative plate. The trolley is fitted with elements to prevent impacts on the room walls when the trolley is rolled.

The trolley has centrally blocked wheels. To facilitate manoeuvring of the trolley during transport, the trolley can optionally be fitted with a fifth wheel.

Bed height adjustment and longitudinal tilt are carried out by hydraulic columns. Angular position of the backrest segment is changed by gas springs, activated by a lever located behind the backrest. Angular position of the thigh segment is adjusted using gas springs, operated by a lever located behind the legs. Angular position of the shank segment is changed by a raster.

The full-length bed of the trolley can be x-rayed.

The trolley is equipped with foldable rails along the bed frame.

The producer reserves the right to introduce in the product structural modifications resulting from technical progress which are not covered in this user manual.

The producer reserve that all parameters and accessories can be modified or change, especially construction, technology and materials, not lowering accepted parameter technically-user and safeties of products.

1.7. Safety

The structure of the product assures its safe operation and use on condition that the rules comprised in this manual are followed.

The sign shown below says: "Warning! - Follow the instructions for safe use".



A label showing this sign is placed on any parts or mechanisms, which may prove to be harmful to the patient or the personnel if their maintenance will not comply with the descriptions found in this Operating Manual.

When operating the product the user has to pay attention to the elements and mechanisms marked as shown above.

- The trolley is designed for patients up to 200 cm in height.
- The weight of the patient and additional equipment attached to the trolley must not exceed 250 kg.
- When using the x-ray cassette tray, the trolley must be in a horizontal position.

1.8. Critical parameters

permissible load	- 250 kg
Maximum load of the monitor shelf	- 10 kg
Permissible load of the drip hanger	- 2 kg per one hook / basket

2. Transport and first use

2.1. Transport

There is a possibility to transport the product by any covered transport means. While transporting, it is necessary to immobilize the truck and protect it against moisture.

The couch should be in the lowest position.

The transport conditions are as follows:

- temperature: from -10°C to 60°C (for the products including electronic parts),
from -20°C to 60°C (the other products),
- relative humidity: from 20% to 80%.

While product transporting, storage and unpacking, the temperature gradient should be less than 10°C per hour. It is strongly recommended to unpack the product after reaching room temperature.

Laminar storage is permissible in accordance with the packaging marking. In the absence of the marking, storied storage is prohibited.

In case of the specific transport conditions (particularly: low temperature transport), it is necessary to negotiate the way of transport and product packaging with the product manufacturer in order to ensure safe transport.

2.2. Unpacking and first use

The trolley is shipped by the producer in an assembled form in a wooden, open-work chest with the following dimensions: L:~2200 x W:~900 x H:~900 mm and weight ~200 kg. The package includes:

- trolley,
- user manual,
- additional equipment,

To prepare the trolley for operation after its transport or delivery one should:

- remove it from the package,
- remove the materials protecting the trolley during its transportation,
- take out equipment and put it aside,

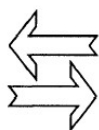


Caution!

Proceeding with the package waste should comply with the law requirements from the area of environment protection obligatory in place of introducing the product in package. Package waste is recyclable and should be properly segregated and deliver according to local law requirements to the disposal point of waste separately collected.

Returnable packaging should be returned to the producer of the medical product.

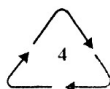
Package may be marked with following signs:



- multiuse package



- package for recycling



low-density polyethylene packaging

LDPE

- Install accessories.

User should check the completeness of the additional equipment according to the documentation.

After that user should check whether the product works in a proper way or not according to the point 3 and 5 in this user manual.

While the parameters are the same as described in user manual the product can be used. If not user must not use this product and as soon as possible inform the producer or distributor.



Caution!

If the product is not fully functional, i.e. the output parameters differ from the description contained in this manual, the bed must not be used. This situation should be reported to the producer or supplier. The use of an improperly functioning product may result in damages, which will encumber the user and which will not be a matter of producer's responsibility.

3. Operation

3.1. Raising and lowering of the couch

Change of the trolley pallet's height in the range given in technical data is realized using the hydraulic columns. To rise the trolley's pallet push foot lever 11 (fig.1,2). To lower the trolley's pallet push simultaneously the levers 9 and 10 (fig.1,2). After reaching the required height release the levers.



Caution!

If a patient is lying on the trolley without medical supervision, the trolley should be placed in the lowest position.

During simultaneous lowering the trolley's pallet with levers 9 and 10, the column which is more loaded will reach the minima height faster.

3.2. Change of angular position of the couch

The angular position of the couch (Trendelenburg and anti-Trendelenburg) is changed by moving the lever 9 or 10 (fig. 1, 2) what releasing appropriate column and placing the couch in any position within the range provided in technical data.

To lower the column on the patients head end (Trendelenburg) push the lever 9 (fig.1,2), and to lower the column on the patients foot end (reverse-Trendelenburg) push the lever 10 (fig.1,2).



Caution!

If a patient is lying on the trolley without medical supervision, the trolley frame should be placed in horizontal position.

3.3. Change of angular position of the backrest

The backrest position can be adjusted by lifting lever 12 (fig. 1, 2) and changing the backrest to a new desired position within angle range given in technical data. Lever releasing results in a blockage of backrest in a new position.



Caution!

If a patient is lying on the trolley without medical supervision, the trolley frame should be placed in horizontal position.

One should be cautious while adjusting the angular position of segments of the couch. The moving elements may trap fingers or hands. It is forbidden to rest hands on trolley elements which are situated closely to the moving elements of the structure.

3.4. Thigh segment inclination adjustment (for 4-segment pallet only)

The thigh segment inclination is adjusted by pulling up the lever (19) (Fig. 2) (which releases the gas spring lock) and positioning the segment as required within the angle specified in the product technical data. Releasing the lever locks the adjusted part in position.



Caution!

If the patient remains without medical supervision, the pallet shall be laid flat.

Be careful when adjusting the pallet segment inclination. The moving components may pinch fingers or the whole hand. Keep hands clear of the trolley parts near moving components.

3.5. Shank segment inclination adjustment (for 4-segment pallet only)

With the thigh segment inclined you can lift the shank segment to any angle and lock it in position with the ratchet gear. To lower the shank segment, lift it up slightly and then lower until level.



Always make sure that the shank segment is properly locked in the ratchet!

Lower the shank segment flat before lowering the thigh segment!

Caution!

3.6. X-ray cassette tray

The trolley is equipped with a sliding x-ray cassette tray. To move the x-ray tray along the bed, grasp the handle marked "A" in Figures 3a and 3b. Then move the tray to the desired position. The x-ray tray has two locking positions. One locking position is on the backrest side, the other locking position of the x-ray tray is on the patient's leg side.

Figure 3a shows the tray locking positions on the backrest side. To lock the tray, move the tray as far towards the patient's head as possible, then pull back the latch marked "B", move the tray further towards the backrest until the latch locks into the tray opening. Once latched, ensure that the tray is locked.

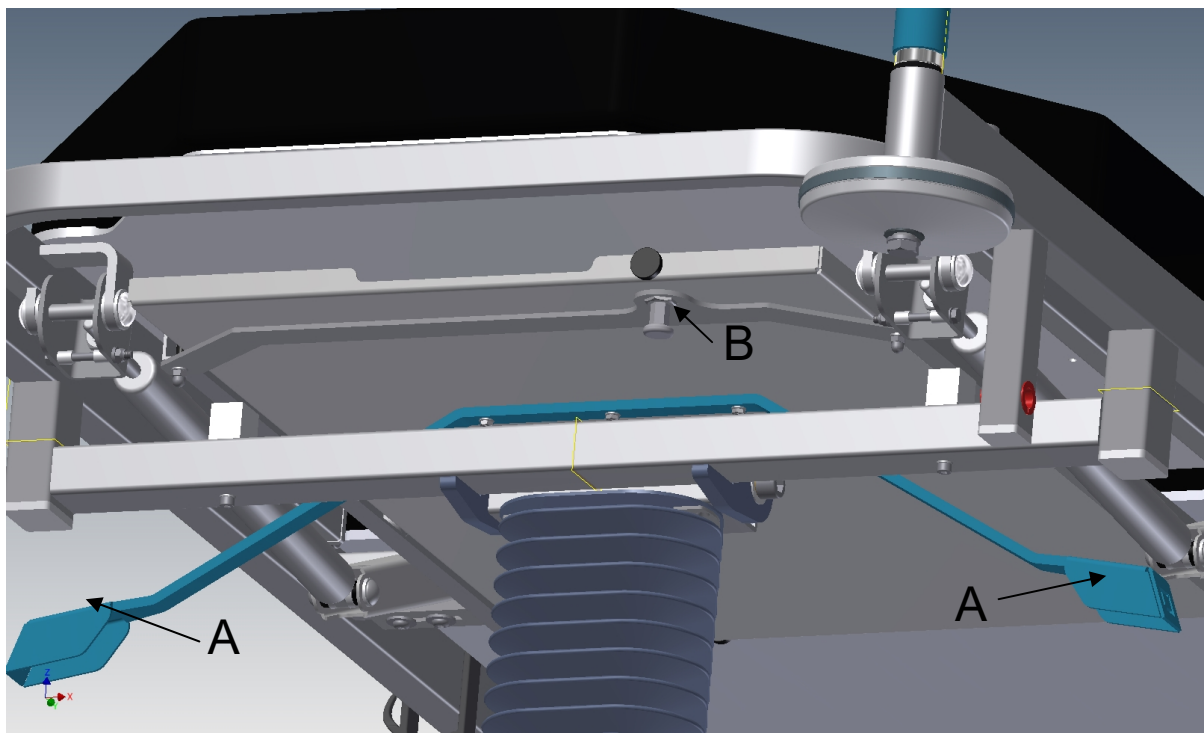


Fig. 3a. Tray locking position on the backrest side.

Figure 3b shows the tray locking positions on the patient's leg side. To lock the tray, move the tray as far as possible towards the shank segment, then pull back the latch marked "B", move the tray further towards the shank segment until the latch locks into the tray opening. Once latched, ensure that the tray is locked.

To place the x-ray cassette on the tray on the leg side, pull back the latch "B" again and slide the tray towards you. Then place the x-ray cassette and slide the tray into the desired position.

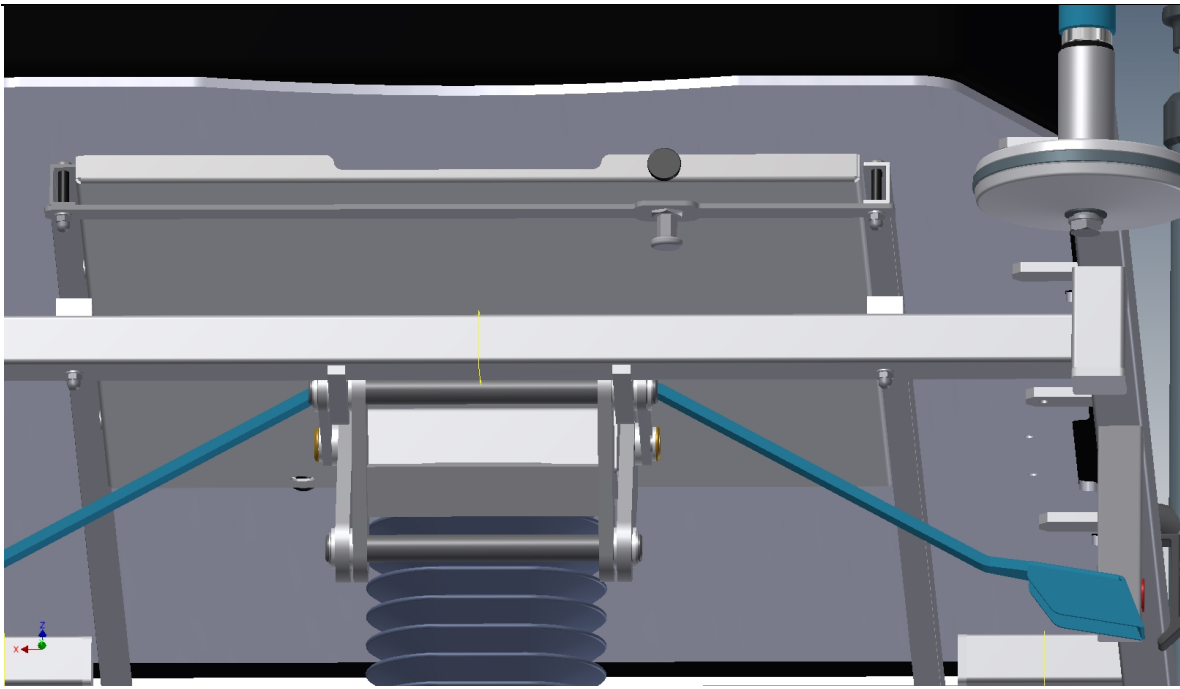


Fig. 3b. Tray locking position on the leg side.

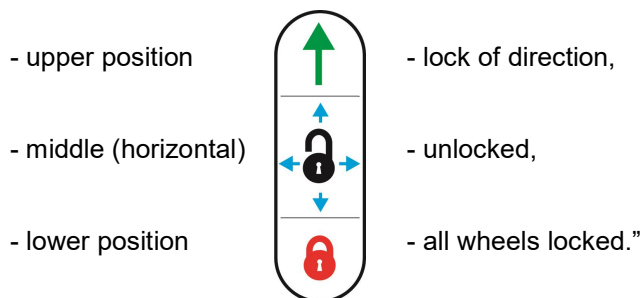


After performing x-rays, the tray should always be left in the locking position. Locking is intended to prevent the tray from moving arbitrarily during the movement of the trolley and the longitudinal movements of the bed.

Caution!

3.7. Wheel lock

It should be possible to move the trolley smoothly. The trolley is provided with a central wheel lock. The lever of the central lock 8 may be put in three positions (fig. 1,2):



The lock of direction is used during trolley movement on long straight stretches.
The lock of direction facilitates turning of the trolley.
The lock of all wheels immobilises the trolley completely.



Caution!

Trolley should be moved by 2 people at least.

During trolley transporting with workload (patient) through inclines and outside of building one should pay special attention.

Trolley should be moved in minimal height.

The trolley should be at a minimum height with the rails raised if there is an unattended patient on it

The floor under the trolley must be free of obstacles!

When moving the trolley avoid collisions !

Do not roll the trolley over electric cables !

4. Installation and using of additional accessories

The trolley may be provided with the following accessories:

Item		Symbol	Permissible load
1	Side rails	PB-10.91	75 kg when applied downwards, 50 kg in other directions
2	Painted side rails	PB-10.93	75 kg when applied downwards, 50 kg in other directions
3	Fixed head	WW-09.1	50 kg
4	Foldable head	WW-09.3	50 kg
5	Foldable drip hanger	WW-09.5	50 kg/2 kg per hook
6	Tower hanger	WW-15.9	4 kg
7	Monitor shelf	WW-11.0	10 kg
8	Fifth wheel	PK-03.0	150 kg
9	Securing belts	WW-12.0 W1	125 kg
10	Drip hanger	WK-16.0	2 kg per hook
11	Mattress for patient transport	WW-14.9	180 kg

4.1. Function of the side rails

Painted side rails type PB-10.93.

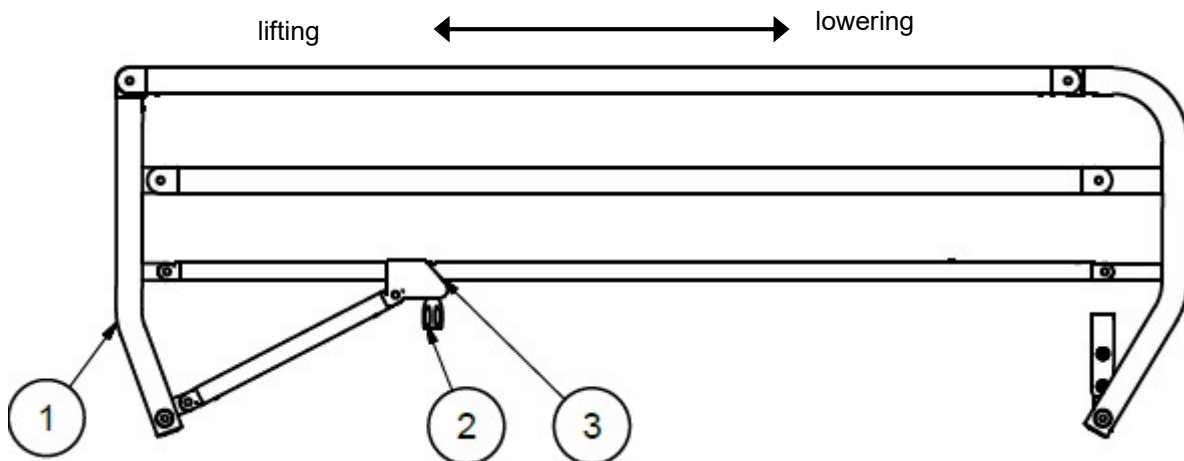


Fig. 5

The side rails are permanently fitted to the sleeves in the bed segment. To lower the rail, pull the lock (2) down, which releases the lock and allows the rail to be folded down, towards the leg rest segment. Raising the rail involves lifting the rail upwards towards the backrest segment, locking it in place automatically. The locking device for the extended side rail should ensure secure and durable positioning. Side rails are supplied on request.



Caution!

After raising the rail, make sure that the rail is correctly locked by moving in the raising and lowering direction.



Caution!

When lowering the side rails, press the rail with an open hand to avoid cutting your fingers when folding the rail into the down position. When lowering the rail, care should be taken to ensure that the patient or others are away from the moving parts of the rail.

4.2. Head types.

The trolley can be fitted with three types of heads:

- A. Fixed heads,
- B. Head - foldable handles,
- C. Head - foldable drip hangers.

A. Fixed head is permanently fixed, made of chrome-plated metal tube.

B. The foldable head, shown in Figure 6. The folding head consists of two handles folding down to below the mattress line. The handle consists of a metal tube ending with a polyurethane handle.

To fold the handle, push the lock (2), Fig. 6, upwards as far as possible and fold the handle down below the mattress line.

To raise the handle to the push position, turn the handle vertically so that the lock (2) drops by itself and locks the handle.

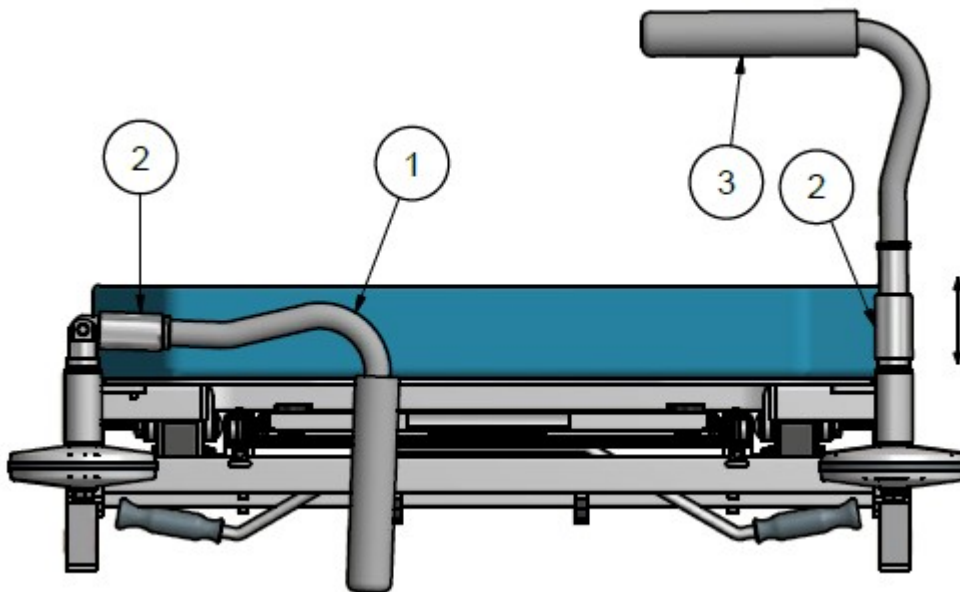


Fig. 6

- C. Board - folding drip hangers, Fig. 7. The Board consists of two drip hangers poles with hooks at the end. The hooks are rotatable. The extended drip hangers (in the vertical position) are used for pushing the patient trolley. While pushing the trolley, one should grip the lower, lacquered part of the drip hangers. Do not grip the hooks and the upper, chrome-plated part.

Setting the drip hangers in the pushing position (vertical):

- a. To set the drip hangers in the pushing position, rotate the pole to a vertical position so that the lock in position 2 drops down and locks the pole.

- b. Drip hanger is equipped with height adjustment. To change the height of the drip hanger, pull up the lock in position 3, Fig. 7a, and extend drip hanger to the desired height.
- c. Spread the hooks to the position shown in Fig. 7a. Gripping both hooks, rotate them to the desired position.

Folding drip hangers to the horizontal position, below the mattress line:

- a. Rotate the hooks in position 4 so that one hook is next to the other.
- b. Rotate both hooks inward towards the center of the trolley so that they are in the position shown in Fig. 7b after folding.
- c. Lower the height of the drip hangers to the minimum height. Pull the lock in position 3 up and slide the extendable part down to the stop.
- d. Fold drip hanger to the horizontal position. Move the lock in position 2 up and perform the rotational movement, as shown in Fig. 7a.

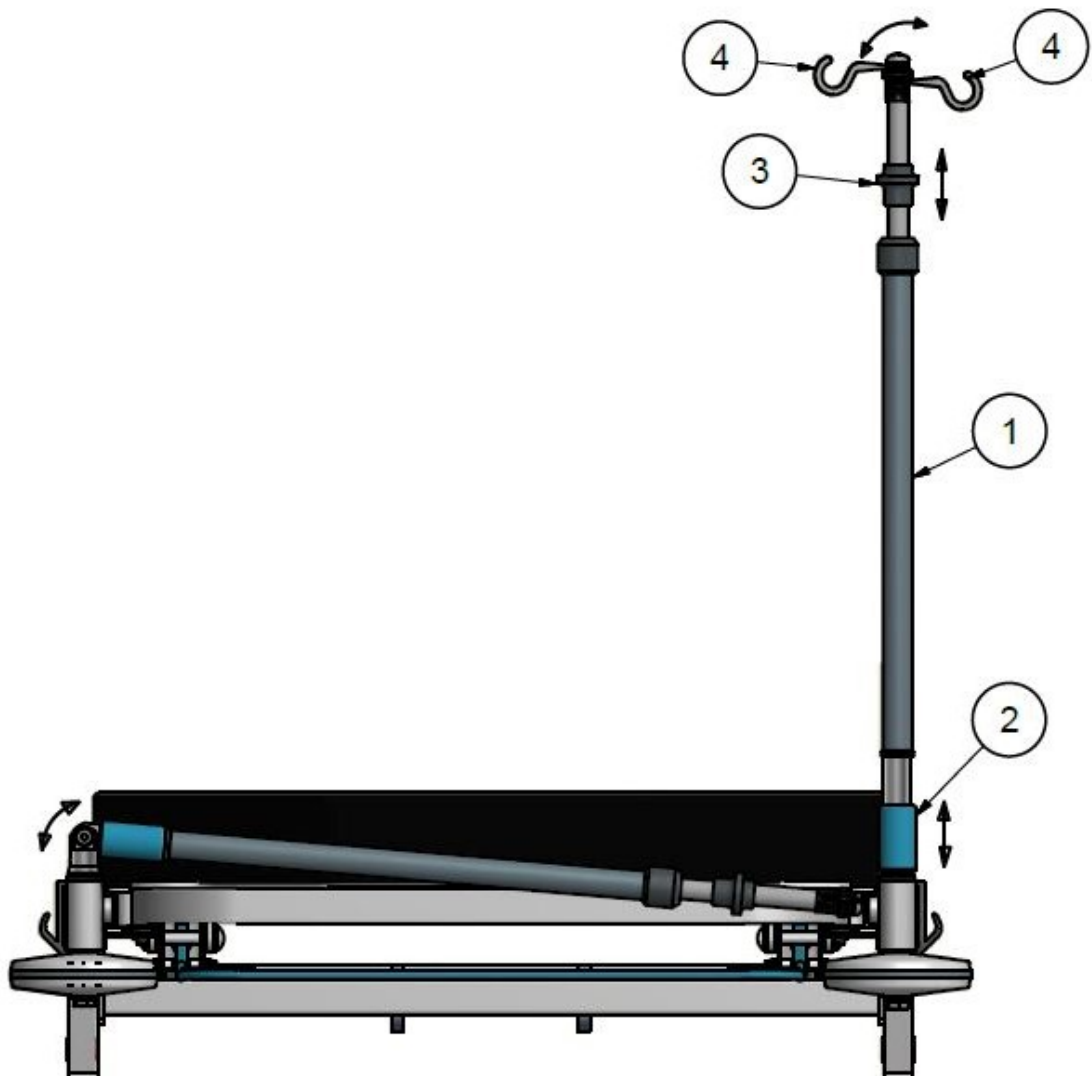


Fig. 7a



Fig. 7b



While pushing the trolley, grip only the lower, lacquered part of drip hangers. Do not grip the hooks and the upper, chrome-plated part.

Caution!



To fold drip hangers below the mattress line, lower drip hangers to the minimum height and rotate the hooks as shown in Fig. 7b.

Caution!

4.3. Drip hanger

The WK-16 drip hanger can be fitted to the trolley.

The fixed drip hanger can be attached to the sockets in the frame of the trolley bed, Fig. 8. The hanger is secured against falling out by means of a knob. The hanger is height-adjustable. To adjust the height of the drip hanger, unscrew the knob on the hanger body, set the desired height and lock again with the knob.

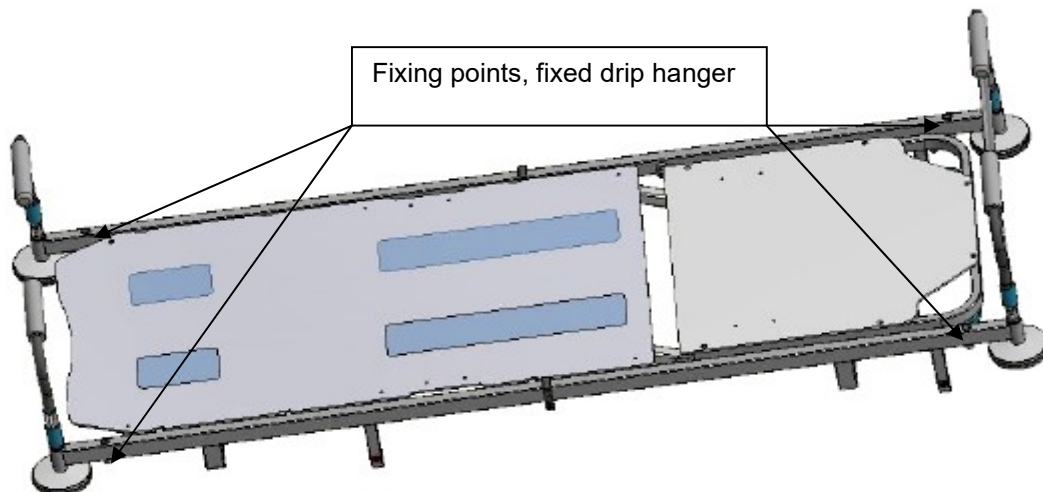


Fig. 8

4.4. Mattress

Mattress is located on the lair segments. Mattress insert is made of polyurethane foam. Material kind of mattress insert and cover is specified on the label. The 2nd and 4th appendix clarify symbols

meaning specified on the label and provide list of agents recommended for washing, laundering or mattress disinfection.

As a result of UV radiation (e.g. solar radiation, UV lamps), discoloration of the mattress coating and insert may occur. These discolorations are a natural phenomenon which does not deteriorate the mattress parameters and is not a basis for complaint.

5. Criteria of evaluation of a correct functioning of the product



Caution!

Correctness of product functioning shall be checked every day before the beginning of its operation.

The method of checking whether the functioning of the trolley is correct:

1. Check stability of the trolley when its wheels are locked by trying to move the trolley manually: pushing of the trolley in any direction should not cause tilting or moving
2. Check the backrest gas spring lock release; on 4-segment pallet trolleys, check the release of the thigh and shank segments (see item 3 *Operation*). The mechanisms should work without jamming, after locking the couch can not change its position (check by pressing the segment or the whole couch manually).
3. Check if there are no mechanical plays by manually moving the segments of the trolley.
4. Check operation of hydraulic columns used for raising of the pallet and setting the pallet in Trendelenburg position. (Check, at any height, whether the couch is lowered automatically).

If the trolley underwent the above described tests with positive results and there were no disturbing sounds (squeaks and grinds), the trolley can be used safely.

Otherwise see item 'Location and removal of defects'.



Caution!

If the product is not fully functional, i.e. the output parameters differ from the description contained in this manual, the bed must not be used. This situation should be reported to the producer or supplier. The use of an improperly functioning product may result in damages, which will encumber the user and which will not be a matter of producer's responsibility

6. Technical service

6.1. Storage

If the product is not to be used for a longer period of time, it should be stored in below mentioned climatic conditions:

- temperature: $25^{\circ} \pm 10^{\circ}\text{C}$,
- relative humidity: $50\% \pm 25\%$.

6.2. Cleaning and disinfecting

For cleaning and disinfecting use only cleaners, disinfectants recommended by FAMED ŻYWIEC Sp. z o.o. in Annex 2 to this manual (allowed to turnover and use on the territory of the country, where they are used).



Caution!

- It is forbidden to wash trolleys using high-pressure cleaners (eg Karcher type) and in steam washers and disinfection chambers.
- Bleaching (containing active chlorine or oxygen), caustic and corrosive agents must not be used.
- Disinfectants containing in their composition active oxygen or chlorine at the concentrations given in Appendix No. 2 by Famed Żywiec Sp. z o.o., they do not cause deterioration of technical parameters or lower the safety of the product.
- Long-term use of agents based on active chlorine accelerates the loss of aesthetic values in the form of:

- loss of gloss of varnish coatings,- yellowing of white lacquer coatings, changes in coating shades colored paints,- yellowing of white plastics,- yellowing of white upholstery and shades colored materials,- formation of rust deposits on surfaces made of stainless steel, requiring periodic cleaning and maintenance

- Inaccurate cleaning of stainless steel components or products after disinfection may result in brown spots on the surfaces. These stains can be removed with commercially available agents recommended for cleaning and care of stainless steel (free of chlorides). After using the cleaning agent, the product should be thoroughly washed, dried and preserved. Inaccurate removal of the cleaning agent may also lead to discoloration and corrosion
- The surface of metal, varnished and chrome elements must not be damaged. Disinfection of a damaged varnish or chromium coating causes its degradation - corrosion of the product.
- For plastic elements (ABS enclosures, upholstery fabrics, polyurethane equipment), no agents whose ingredients destroy their network structure (organic solvents, petrol, acetone, alcohols in concentrations exceeding 30%) must be used.
- Dirt on artificial leather should be removed with soap and water. Do not leave the dirty artificial leather - disinfecting the dirty surfaces fixes stains that are impossible to remove.
- Protect surfaces that are directly exposed to intensely colored antiseptics.
- For disinfection of products, decontamination equipment with a hydrogen peroxide content of 7 - 12% can be used.
- After disinfecting dry thoroughly.

Disregarding the above requirements concerning cleaning and disinfecting shall result in losing the guarantee for the product.

6.3. Damages and defects

Damages and defects found in the product or product accessories should be reported immediately to a person in charge of such issues. The bed which can not be safely operated (e.g. damaged electric or mechanical elements) must not be used till it is repaired.

6.4. Repairs and maintenance activities

Repairs are done by the producer. The user can not carry out any repairs on his own unless he has undergone special training or has been authorised to do that. When the producer has given his written permission for repair of the product by client's technical staff, the producer shall provide the client with necessary charts, lists of spare parts, descriptions and information on repairs. The producer allows only to use original spare parts. In order to provide safe and reliable operation of the product one should use only spare parts provided by the producer. Worn out parts shall be removed as provided in environmental protection regulations.



The product contains products which may be dangerous to the environment:

- oil (pneumatic spring, hydraulic system),

Caution! The rules of proceeding with used products which may be dangerous to the environment are defined in environmental regulations.

Repairs and maintenance must be performed only by qualified personnel. If a product is operated outside Poland, one should inform about a necessity of a repair a producer or the dealer from whom the product was purchased.

Every repair of the product must be recorded on the list of repairs enclosed with the guarantee certificate

6.5. Control of technical condition

In order to ensure safe and proper technical condition of the product, the product should undergo periodical technical inspections to be carried out by the manufacturer or authorised and trained technical staff of the customer.



Only a positive result of product inspection can be the basis for its further operation.

Caution! Technical inspections of the product must be recorded on the list of repairs enclosed with the guarantee certificate.

After the whole life of the product, a permission for its further operation is granted after obtaining a positive result of technical inspection made by the authorized service. The permission is granted every for 12 months.

<i>Range of technical inspections</i>	<i>Frequency</i>
- checking functionality - checking general technical condition	every 12 months

In order to ensure safe and proper operation of the product and its long lifetime, the product should undergo periodical inspections of its technical condition every six months according to the list below.

<i>Scope of technical condition check</i>	
Chassis	<ul style="list-style-type: none"> ▪ Check screw joints and protections on pivot bolts ▪ Check the central lock and trolley moving system ▪ Check operation and tightness of the hydraulic columns
Couch	<ul style="list-style-type: none"> ▪ Check screw joints and protections on pivot bolts ▪ Check operation and tightness of gas springs

An inspection should involve a visual inspection and the noticed malfunctions should be handled as provided in *item 6.6. Location and removal of defects.*

6.6. Location and removal of defects

<i>Defect</i>	<i>Possible cause</i>	<i>Elimination</i>
Trolley does not move	Wheels blocked	Unblock a central blockade
Trolley cannot be directed	Blockade of a direction	Unblock a central blockade
The cart cannot lower at all	Failure of the hydraulic pump or the releasing mechanism	Call service center
It is impossible to lift the shakedown	Failure of the hydraulic pump or the rising mechanism	Call service center

If the fault cannot be eliminated, put the product aside and call the repair department or FAMED ŻYWIEC Sp. z o.o.'s service.

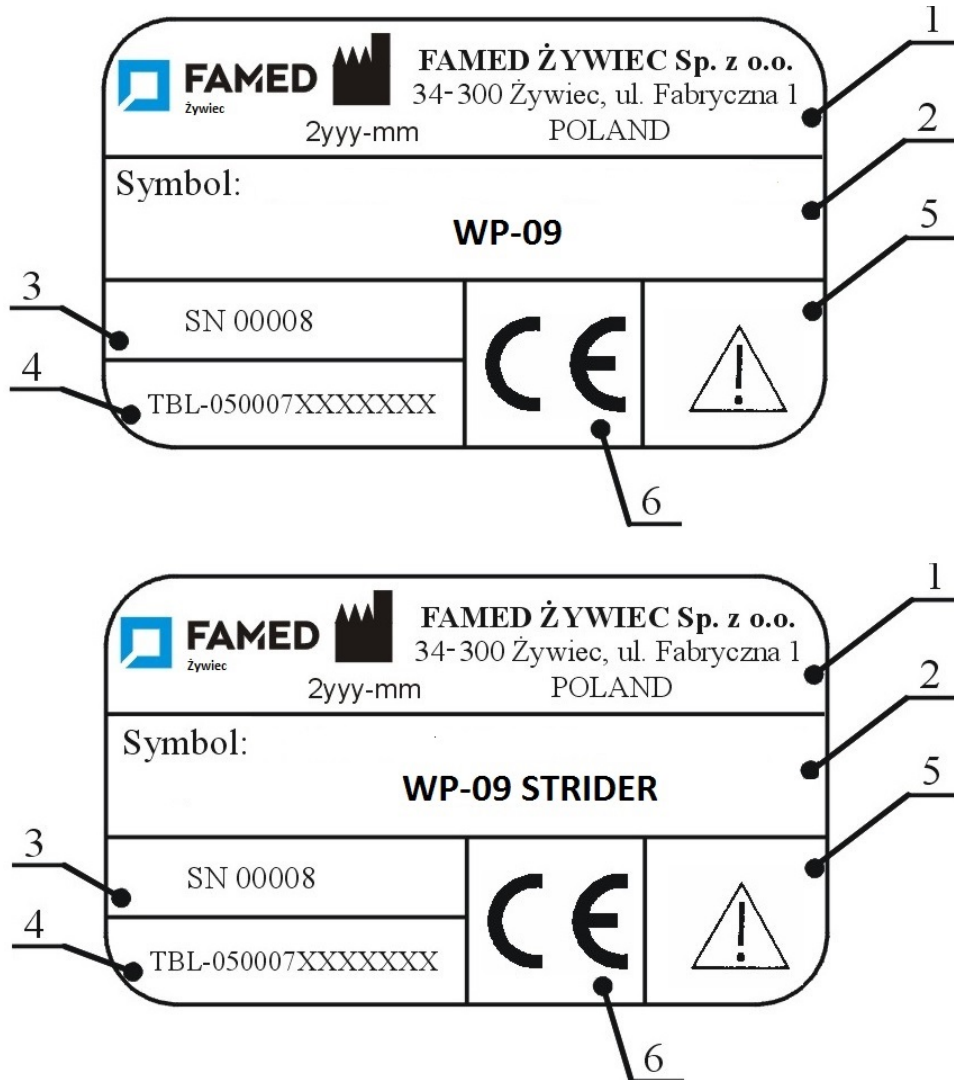
6.7. Product liquidation

If the customer resign from further product exploitation, he is obliged to product liquidation according to rules of environment protection, detailed information is situated in annex no. 3.

7. Trolley identification

When sending/ asking any questions concerning the trolley and when ordering spare parts, please give the serial number of the trolley placed on the nameplate and the guarantee certificate.

7.1. Nameplate



Description of meanings of particular boxes of a name plate:

1 – Logo, symbol “manufacturer”, date of production, name and address of the Manufacturer,

2 – Symbol (name) of the product,

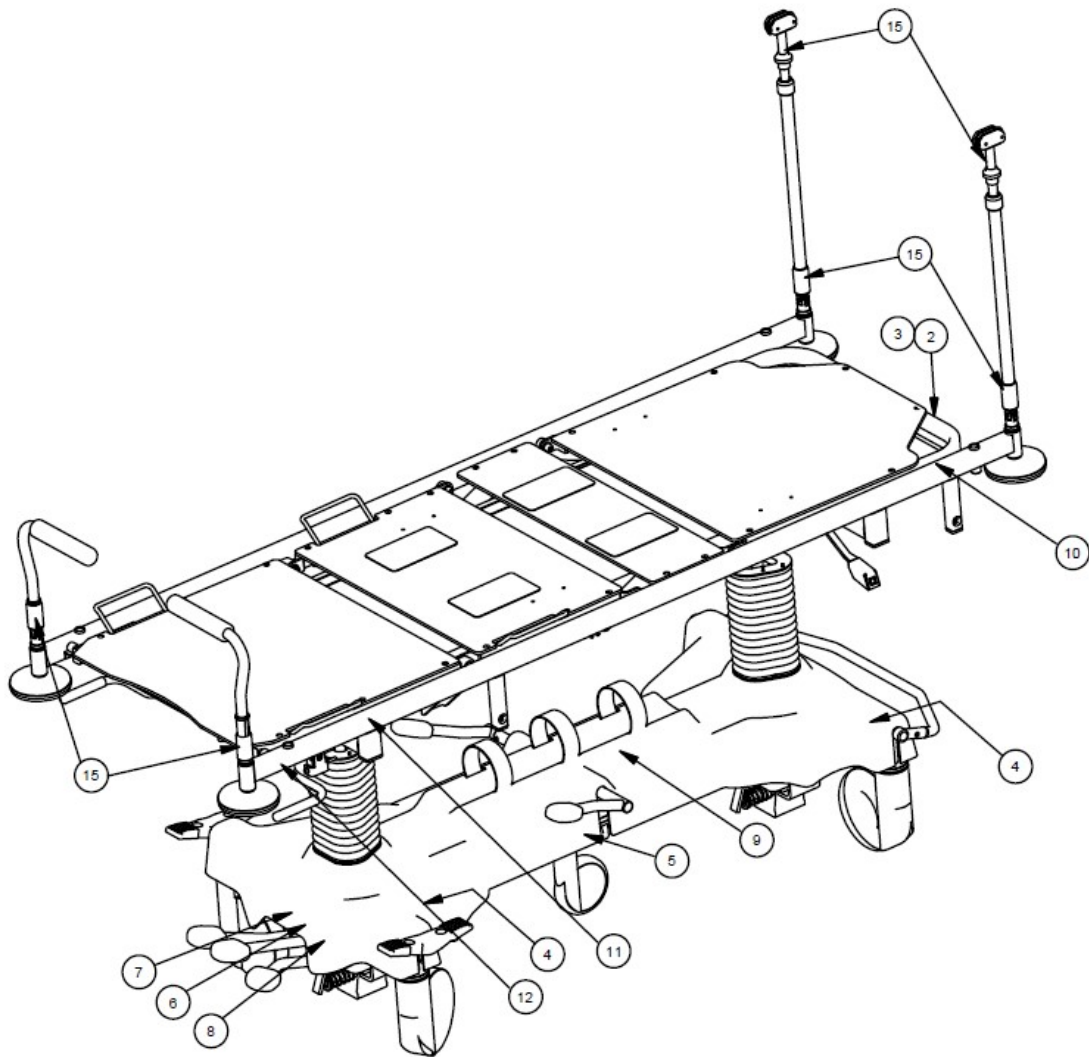
3 – Serial Number (country of manufacture),



4 – Index of the product,

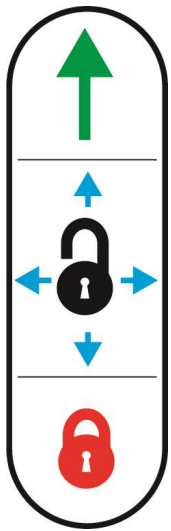

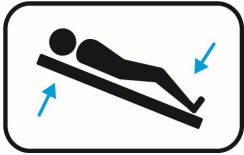

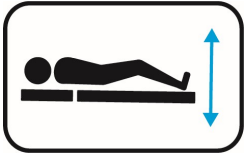
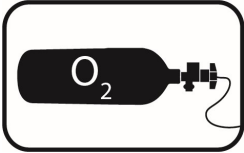
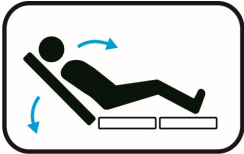
5 –  "Warning! - Follow the instructions for safe use".

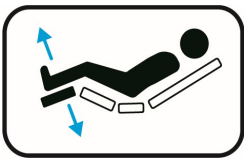
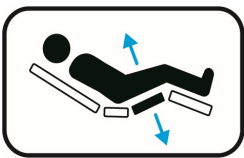



6 –  CE mark.

7.2. Labels



1	See point no. 7.1	Nameplate
2		For cleaning and disinfection you should not use agents containing active oxygen and chlorine
3		Permissible load

4		Central wheel lock
5		Lever of fifth wheel
6		Anti-Trendelenburg lever
7		Trendelenburg lever
8		Height adjustment lever
9		Oxygen bottle
10		Height adjustment lever of back rest segment

11		Shank segment inclination adjustment lever (on 4-segment pallet trolleys)
12		Thigh segment inclination adjustment lever (on 4-segment pallet trolleys)
13		Warning! - Follow the instructions for safe use.
14		Follow the instructions.
15		Central wheel lock

Notice! *The producer reserves the right to introduce in the product structural modifications resulting from technical progress which are not covered in this user manual.*